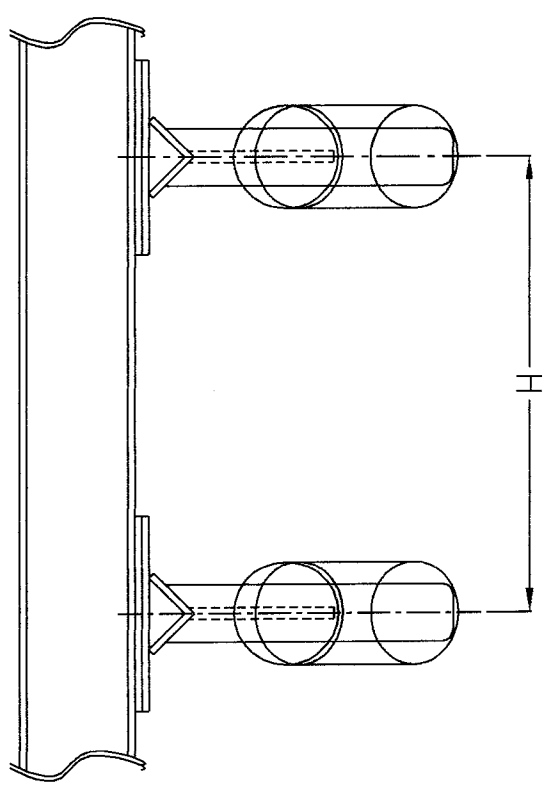
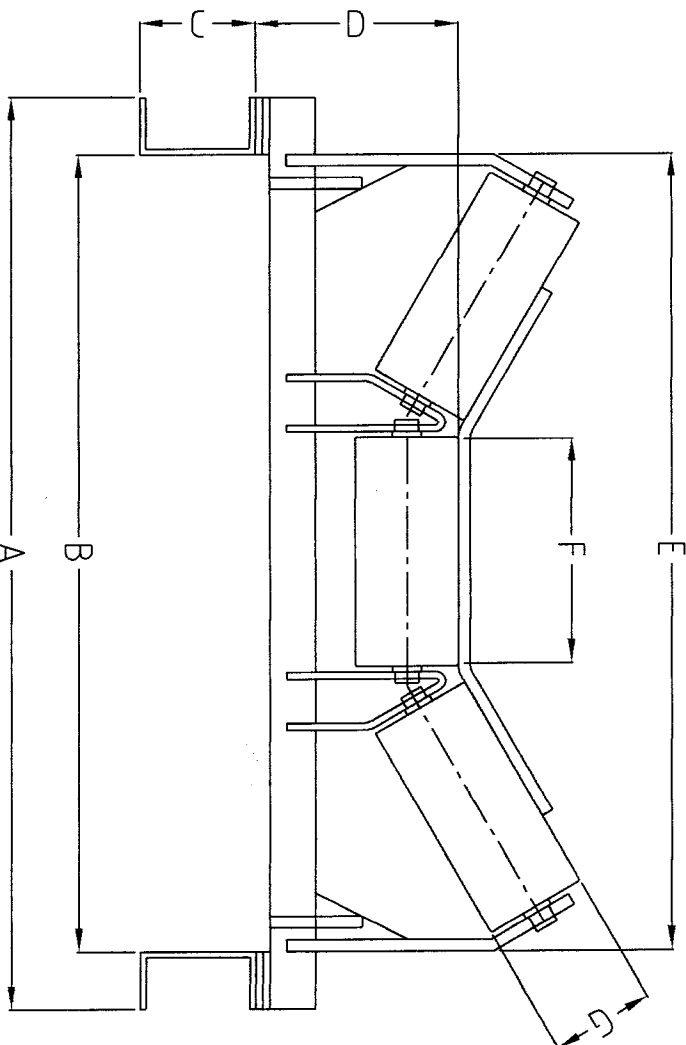


Revno      Revision note      Date      Signature/Checked



A	
B	
C	
D	
E	
F	
G	
H	

BELT SPEED	
BELT-TYPE	
BELT WIDTH	
CAPACITY	
CONVEYOR -TYPE	U-TROUGH / FLAT
TROUGH ANGLE	
CONVEYOR INCLINATION	
DISTANCE FROM CONTROL ROOM	

BSC-EQ		Reference:	
Designed by PRP/TIA	Checked by ROSH/TIA	Approved by - date VIN/TIA.09/10/06	File name LOADCELL.M0
		Date 09/10/06	Scale NTS

TIA TECHNOLOGY		LOAD CELL MOUNTING FOR MODEL -97003	
		GENE-BESC-GA-ME-100-00	Edition 01
			Sheet 01/01

F

1      2      3      4      5      6      7      8